

Point Of Care Testing (POCT) Fully Automated Biochemistry Analyzer

SD1 auto dry biochemistry analyzer is a biochemical analysis system that integrates conventional biochemistry, coagulation, electrolyte and immunoassay items. it is widely used in primary health, emergency diagnostic testing, field rescue and other fields.

Immediate Results Anywhere Anytime

Transfer results to PC

Build results database
(LIS System)

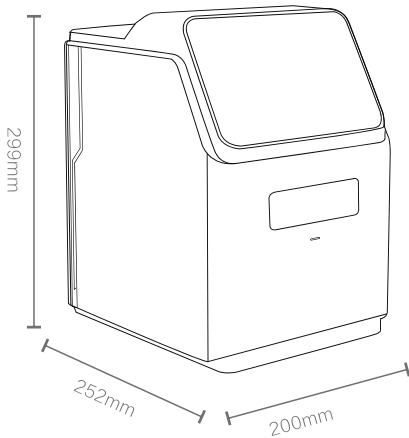


Nexus Medical Solutions (M) Sdn. Bhd. (1371016-U)

Block B-809, Kelana Square, Jalan SS7/26, 47301 Petaling Jaya, Selangor Darul Ehsan

TEL: +603-7499 3722 FAX: +603-7499 3722

EMAIL: info@nexusms.com WEB: nexusms.com

**SD1****FULLY AUTOMATED DRY BIOCHEMISTRY ANALYZER**

Equipped with the latest medical and technological innovations, we have invented a state-of-the-art portable SD1 auto dry biochemistry analyzer which provides a better, faster and more accurate diagnosis for blood analysis.



Test up to 34 parameters in total



Test results in 12 minutes



3-step simple operation

ADVANTAGES

Low Sample Consumption

Sample Volume needed is 1/10 - 1/20 of conventional chemistry analyzer.

Easy to Use

No professional skill required.

Maintenance Free

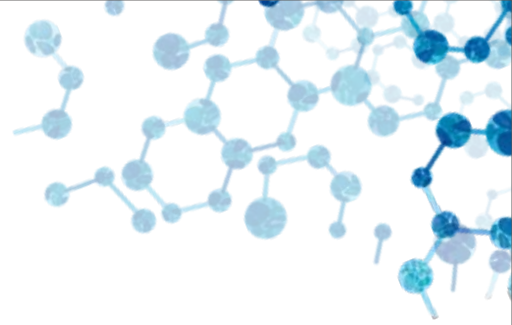
Robust analyzer, no consumables needed, such as tubes, pumps and valves.

Accurate Result

Using the photoelectric colorimetric principle, the SD1 analyzer has many advantages versus conventional dry biochemistry analyzer using the light reflection method. Dilution of test sample is guaranteed Without random errors or cross contamination.

SPECIFICATION

Sample volume:	100µl	Testing method:	End point, kinetic, fixed time, turbidimetry etc
Bar code:	QR code	Light source:	12V/20W, Halogen tungsten lamp with life span over 2500 hours
Testing time:	12 minutes / sample	Power supply:	AC 100V-240V, 50-60Hz
Temperature:	37°C ±0.3°C	Power:	Output: 15 ■■■ 7.0a, 105W MAX
Resolution:	0.001Abs	Display:	Android 7.0 inch 800*480, multi-point capacitive touch screen, multilingual choice
Absorbance:	0-3.0Abs	Storage:	500,000 results
Sample type:	Anti-coagulation whole blood, serum, plasma	Printer:	Built-in thermal printer
Work condition:	Temperature:10-30°C Humidity: 30%-70%	Interface:	4 USB ports, 1 LAN port
Testing principle:	Absorption spectroscopy, transmission turbidimetry	Dimension:	315*375*475mm. 4.2kg(N.W.), 7kg(G.W.)
QC&Calibration:	IQC (Intelligent Quality Control)		



EASY 3-STEP OPERATION

All steps are automated from centrifugation, dilution, quality control to test result printing.



01 Add Sample (100 μ L)



02 Insert Disc (12-minute testing time)



03 Read Results (immediately)

DISPOSABLE REAGENT DISC

Seamaty Reagent Disc Introduction

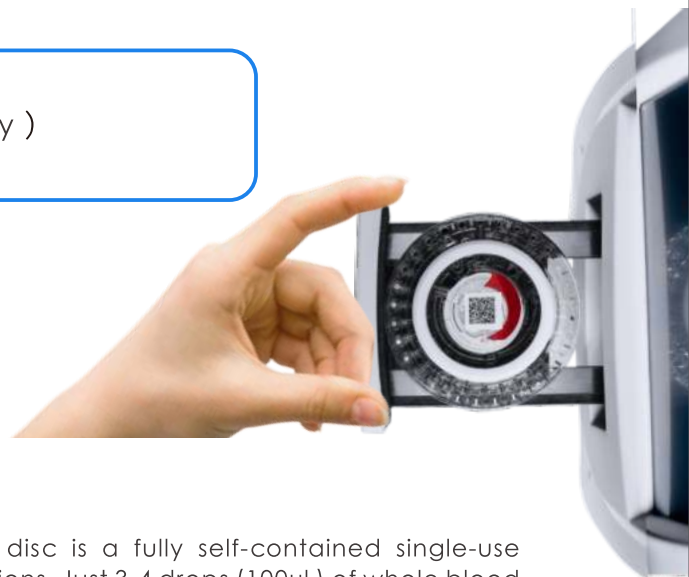
Born from space technology research, Seamaty reagent disc is a fully self-contained single-use chemistry reagent disc designed to satisfy a variety of conditions. Just 3-4 drops (100 μ l) of whole blood are required to offer accurate results. The test kit consists of lyophilized reagent beads, diluent and QR code. The reagent disc has a shelf life of 12 months(2-8 $^{\circ}$ C storage). The diluent is contained in the disc. The QR code includes the basic information of the disc.

Intelligent Quality Control

The reagent disc contains a complicated internal quality control system IQC which continuously monitors the disc function to ensure reaction stability and optimal disc performance. IQC is the engine that drives the SD1 accurately and precisely.

Correlation

In countless central-lab correlation studies, the accuracy, precision and reproducibility of the SD1 chemistry analyzer has been proven and approved by the most respected hospitals and commercial around the world.



Reagent Panel

Group Panels	General Chemistry II Kit							General Chemistry III Kit									
	8 Renal Function Kit	7 Electrolyte Kit	4 Cardiac Kit	10 ReLyte Kit	18 General Chemistry II Kit	8 Renal Function Kit	14 General Chemistry Kit	10 Liver Function Kit	6 Lipid Kit	19 General Chemistry III Kit	10 Liver Function Plus Kit	10 Liver Function Kit	13 Health Check Kit	17 Conventional Chemistry Kit	14 General Chemistry B Kit	11 Chemistry CRP Kit	5 CRP Kit
Analyses	AW00088	AW00246	AW00411	MD20105	AW00866	AW00275	AW00002	AW00131	AW00353	AW00867	AW00430	AW01078	AW00194	AW01076	AW01077	AW00857	MD10132
ALB	ALB				ALB	ALB	ALB	ALB		ALB	ALB	ALB	ALB	ALB	ALB	ALB	
ALP							ALP	ALP		ALP	ALP	ALP		ALP			ALP
ALT							ALT	ALT	ALT	ALT	ALT	ALT	ALT	ALT	ALT	ALT	
AMY					AMY		AMY	AMY		AMY	AMY		AMY		AMY		AMY
AST			AST		AST		AST	AST	AST	AST	AST	AST	AST	AST	AST	AST	
Ca	Ca	Ca		Ca	Ca	Ca							Ca				
CHE								CHE		CHE		CHE		CHE			
CK			CK		CK					CK			CK		CK		
Cl ⁻		Cl ⁻		Cl ⁻	Cl ⁻	Cl ⁻											
Crea	Crea			Crea	Crea	Crea	Crea			Crea		Crea	Crea	Crea	Crea	Crea	Crea
DB										DB	DB	DB		DB	DB	DB	
GGT							GGT	GGT		GGT	GGT	GGT		GGT			
GLU	GLU				GLU		GLU		GLU	GLU			GLU	GLU	GLU	GLU	
K ⁺		K ⁺		K ⁺	K ⁺	K ⁺											
Na ⁺		Na ⁺		Na ⁺	Na ⁺	Na ⁺											
PHOS	PHOS	PHOS		PHOS	PHOS								PHOS				
TB							TB	TB		TB	TB	TB	TB	TB	TB	TB	
TBA								TBA		TBA		TBA		TBA			
tCO ₂	tCO ₂	tCO ₂		tCO ₂	tCO ₂												
TP							TP	TP		TP	TP	TP	TP	TP	TP	TP	
UA	UA			UA	UA	UA	UA			UA		UA		UA	UA		
UREA	UREA			UREA	UREA	UREA	UREA			UREA		UREA	UREA	UREA	UREA	UREA	UREA
TC							TC		TC	TC				TC	TC		
TG							TG		TG	TG			TG	TG	TG		
HDL									HDL	HDL				HDL			
LDL*									LDL*	LDL*				LDL*			
LPS					LPS						LPS						LPS
HBDH			HBDH		HBDH												
LDH			LDH		LDH												
CRP																CRP	CRP
Mg		Mg		Mg	Mg												
GLOB*							GLOB*	GLOB*		GLOB*	GLOB*	GLOB*	GLOB*	GLOB*	GLOB*	GLOB*	
U/C*	U/C*			U/C*	U/C*	U/C*	U/C*			U/C*		U/C*	U/C*	U/C*	U/C*	U/C*	
A/G*							A/G*	A/G*		A/G*	A/G*	A/G*	A/G*	A/G*	A/G*	A/G*	

* calculated