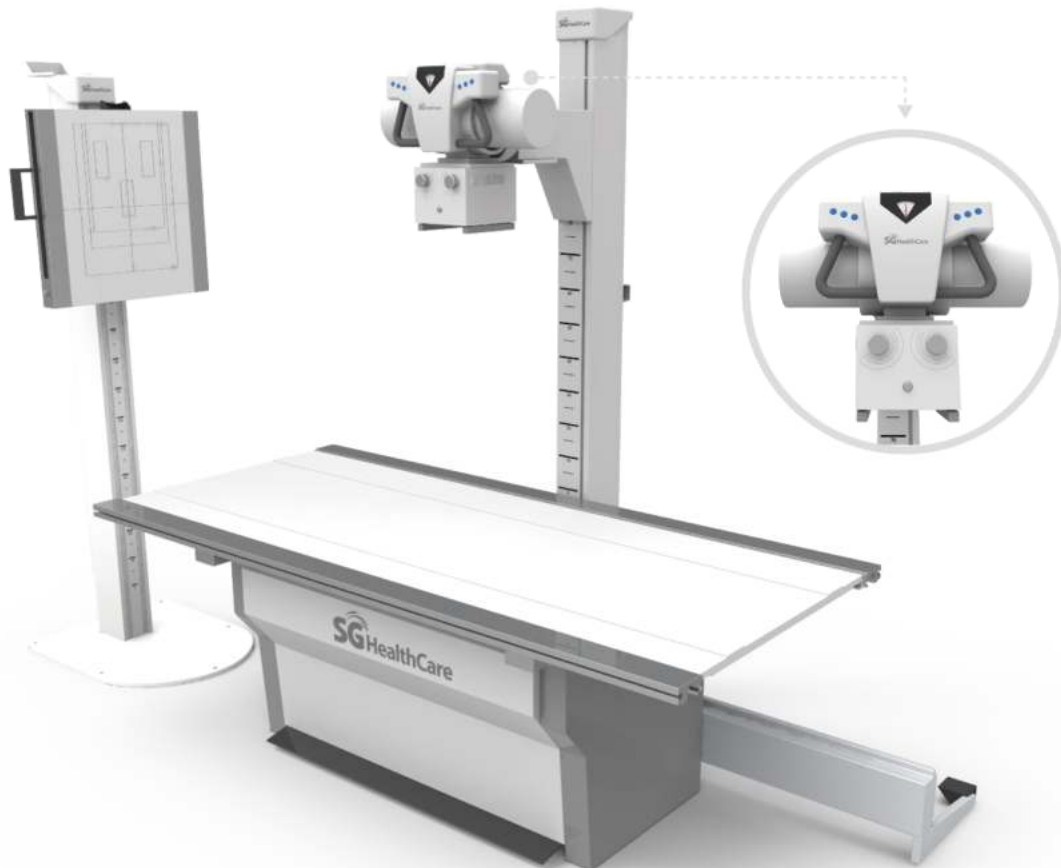


JUMONG GENERAL



Ultimate Choice in Conventional System

Ideal choice for a complete range of radiographic procedures and eliminates the needs for high-cost room modification

Floor rail conventional x-ray system

Enhance your workflow with compact and effective design of economic system

SUPERIORITY

Great Expandability (Film, CR, Flat Panel Detector)

Economic Feasibility

Convenience and Compact Design

Durability



CONVENTIONAL
RADIOGRAPHY



FLOATING
TABLE



FLOOR
WALL TUBE
RAIL STAND



OSCILLATING
GRID



DR
UPGRADABLE

SYSTEM CONFIGURATION & SPECIFICATION

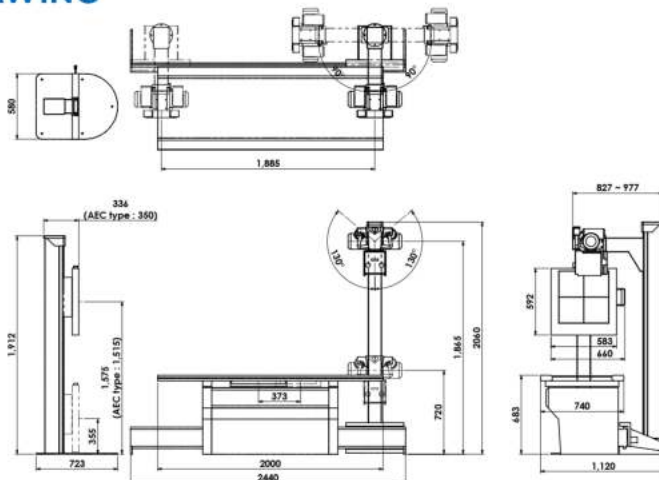
		40kw	50kw
Generator	Input Power	1Ø 230VAC 3Ø 380VAC	3Ø 380VAC
	kV Range	40 - 150kV	
	Output Frequency	450kHz	
	mAs Range	0.1 - 1000mAs	
	Tube Current Range	10-500mA	10-630mA
	Exposure time Range	1.0 - 6300ms	
	Tube Calibration	Automatic	
	Anode Rotation Drive	Low / Dual Speed Starter	
	Console	Membrane / Mini / Touch (Optional)	
Tube	Type	Toshiba E7239X	Toshiba E7252X
	Focal Spot	1.0 - 2.0	0.6 - 1.2
	Operating Voltage	40 - 125kV	40 - 150 kV
	Anode Heat Capacity	140kHU	300kHU
	Target Angle	16°	12°
Collimator	Power Supply	1Ø 24VAC 50/60Hz	
	Related Tube Voltage	125 kvp	
	Filters	1.2mm Al	
	Intensity of Illumination	LED over 160 lux	
GRID		103L 10:1 100/180cm	103L 10:1 100/180cm
HVC		10m	10m
Tube Stand	Heights	2060mm	
	Floor Rail width	2440mm	
	Vertical Movement	1165mm ±5mm	
	Horizontal Movement	1885mm ±5mm	
	Tube Stand Rotation	360°	
	Tube Rotation	360°	
	Telescopic movement	150 mm ±5mm	
Wall Stand	Wall Stand Heights	1912mm	
	Vertical Movement	1220mm ±5mm, AEC Type: 1160mm ±5mm	
Table	Weight Capacity	150 kg	
	Table Size	2000mm(W) x 740mm(L) x 68.3mm(H)	
	Movement	T:200mm ± 20mm H:730mm ± 20mm	
	Top Filtration	0.8mm Al equivalent	

• UPGRADE AND OPTIONS : DAP Interface | OP Console Stand

PACKING INFORMATION

Weight	300kg	350kg	190kg
Dimension	2650x920x636mm	2200x1100x1050mm	1050x1000x1100mm

TECHNICAL DRAWING



SGHealthCare

HQ: 113 Jungdae-Ro, Songpa-Gu, Seoul 05718, KOREA | Factory: 10, Yangnyeong-ro, Moga-myeon, Icheon-Si, Gyeonggi-Do, KOREA

US Office: 4801 Wilshire Blvd, Ste. 104 Los Angeles, CA 90010, USA | P +82 (0)2 449 6908 / +82 (0)2 449 6909 | E sales@sghealthcare.com | H www.sghealthcare.com